



Single Tote Trailer



Dual Tote Trailer



Triple Tote Trailer

Description

The Chemguard Defender series of mobile foam trailers are built with unit integrity in mind. Constructed from structural steel rated at a tensile strength of over 36,000 lbs per square inch and finished off with high gloss polyurethane enamel, Defender Series trailers are economical, extremely durable, and corrosion resistant.

Designed and developed for extreme incident flexibility, the Defender series of trailers are offered with a wide variety of options giving you the ability to custom design your own unit to best fit the specific needs of your department or facility. When your needs require a large surplus of fire suppression foam, the Defender Series of tote trailers combine a unique mix of agility and performance to consistently provide storage, transport, and deployment in the harshest operating conditions possible.

Standard Features

- **High Capacity Foam Concentrate Storage:**
Each Dual Tote Trailer is built to carry 550 or 660 gallons of concentrate. Please specify tote size during inquiry.
- **Fixed Master Stream Vertical Waterway:**
Pre-piped vertical waterway constructed from 4" Schedule 40 pipe running through a lever operated butterfly valve. The waterway is supplied by two 2-1/2" clapered Siamese or two Storz inlet connections mounted one connection point, dual 2-1/2" or Storz, on each side of the trailer.
- **Master Stream:**
Pre-piped single waterway brass monitor flows 1250 gpm with minimum friction loss. The Chemguard Brahma Monitor is designed for 360 degree rotation with positive lock and is built with stainless steel ball bearings at each swivel joint. A CEN Series Self-Educting foam nozzle comes standard in 350, 500, or 750 gpm configurations. Each single gallonage constant flow nozzle is adjustable from straight stream to a fog pattern.
- **Wheels and Tires:**
Standard with heavy duty 5-Star Polished Aluminum wheels with ST225-75-R15 tires.

- **Practical Plumbing:**

One standard direct nozzle concentrate pick-up connection runs from the front tote of the dual tote trailer. A quick action Cam-Lock connector with a remote valve at the monitor platform draws concentrate from the rear tote. The nozzle's foam concentrate pick-up tube connection is compatible with all Chemguard tote tanks. An optional drum pick-up hose can provide the ability to access an additional concentrate supply, if needed, in an emergency situation.

- **Rapid Release Tote Locking System:**

Every model of trailers has our Rapid Release tote locking system as a standard feature. This enables the end user to quickly replace empty totes and reload with a full supply of concentrate. For added security we have also included two 3,335 lb heavy duty tie down straps for stability on the open road.

- **Stabilizing Jacks:**

All trailers are equipped with one 7,000 pound capacity drop-foot front jack and dual 5,000 pound capacity swing-down rear jacks for stabilization.

- **Equipment Storage:**

Large Diamond Plate aluminum hose bins located just above each fender is ideal storage for 2-1/2", 3", 4" or 5" hose.

- **Heavy Duty Construction:**

For added strength, the dual tote trailers are equipped with two heavy duty 6,000 lb load rated axels with the same E-Z Lube Bearings.

- **Electric Braking System:**

Each trailer comes standard with 12" x 2" electric brakes on both axles. The complete system contains an emergency break-away with battery, an electric brake controller to mount in the towing vehicle, and a brake actuator.

- **Finish:**

All Chemguard tote trailers are finished off with a durable red polyurethane enamel.

- **Safety:**

Standard non-skid on deck meets requirements of NFPA 1901.

Trailer Options

1 – Nozzle/Monitor/Valve	
00	None
01	CEN350/CM1250B-4S W/4" BF VA. And 10-Position Lever
02	CEN500/CM1250B-4S W/4" BF VA And 10-Position Lever
03	CEN750/CM1250B-4S W/4" BF VA And 10-Position Lever
04	CEN1000/CM1250B-4S W/4" BF VA And 10-Position Lever
05*	CEN1500(RANGER)/CM2000B W/4" BF VA. And 10-Position Lever
06	CEN350/CM1250B-4S W/4" BF VA. And Gear Operator
07	CEN500/CM1250B-4S W/4" BF VA And Gear Operator
08	CEN750/CM1250B-4S W/4" BF VA And Gear Operator
09	CEN1000/CM1250B-4S W/4" BF VA And Gear Operator
10*	CEN1500(RANGER)/CM2000B W/4" BF VA. And Gear Operator
11	Other/Special Requires Engineering Approval

2 – Water Inlets	
00	None
01	Single 4" NH(NST) Male With Cap - Each Side
02	Single 4" NH(NST) Female With Plug - Each Side
03	Single 4.5" NH(NST) Male With Cap - Each Side
04	Single 4.5" NH(NST) Female W/ Plug - Each Side
05	Single 4" Storz W/Cap Each Side
06	Single 5" Storz W/Cap Each Side
07*	Single 6" Storz W/Cap Each Side
08	Two 2.5" NST Female Swivels With Clapper & Plugs Ea. Side
09	Two 2.5" NPSH Female Swivels W/ Clappers & Plugs Ea. Side
10	Other/Special Requires Engineering Approval

3 – Storage/Eductors - Left	
00	Standard Aluminum Hose Bin No Eductor
01	Standard Aluminum Hose Bin 60 Gpm Pre-Piped Eductor
02	Standard Aluminum Hose Bin 95 Gpm Pre-Piped Eductor
03*	Standard Aluminum Hose Bin 125 Gpm Pre-Piped Eductor
04*	Standard Aluminum Hose Bin 250 Gpm Pre-Piped Eductor
05	Storage Cabinet In Lieu Of Hose Bin - Non-Locking
06	Storage Cabinet In Lieu Of Hose Bin – Locking
07	Other/Special Requires Engineering Approval

Trailer Options

4 – Storage/Eductors - Right	
00	Standard Aluminum Hose Bin No Eductor
01	Standard Aluminum Hose Bin 60 Gpm Pre-Piped Eductor
02	Standard Aluminum Hose Bin 95 Gpm Pre-Piped Eductor
03*	Standard Aluminum Hose Bin 125 Gpm Pre-Piped Eductor
04*	Standard Aluminum Hose Bin 250 Gpm Pre-Piped Eductor
05	Storage Cabinet In Lieu Of Hose Bin - Non-Locking
06	Storage Cabinet In Lieu Of Hose Bin – Locking
07	Other/Special Requires Engineering Approval

5 – Wheels/Brakes	
00***	Alum. Star Wheels, Bsw Tires Electric Brakes
01***	Alum. Star Wheels, Bsw Tires Free Backing Hyd. Brakes
02	White Mod Wheels, Bsw Tires Electric Brakes
03	White Mod Wheels, Bsw Tires Free Backing Hyd. Brakes
04***	Galvanized Wheels, Bsw Tires Electric Brakes
05***	Galvanized Wheels, Bsw Tires Free Backing Hyd. Brakes
06	White Spoke Wheels, Bsw Tires Electric Brakes
07	White Spoke Wheels, Bsw Tires Free Backing Hyd. Brakes
08***	Alum. Mod Wheels, Bsw Tires Electric Brakes
09***	Alum. Mod Wheels, Bsw Tires Free Backing Hyd. Brakes

6 – Finish/Operator's Platform	
00	Red Urethane Enamel With Red Non-Skid Tape On Deck
01	Red Urethane Enamel With Brite Alum. Floorplate Deck
02	Red Urethane Enamel With Alum. Diamondback Decking
03	Red Epoxy W/Clearcoat And Red Non-Skid Tape On Deck
04	Red Epoxy W/Clearcoat And Brite Alum. Floorplate Deck
05	Red Epoxy W/Clearcoat And Alum. Diamondback Deck
06	Special Color/Finish With Matching Non-Skid Tape On Deck
07	Special Color/Finish With Brite Alum. Floorplate Deck
08	Special Color/Finish With Alum Diamondback Floor Deck

Trailer Options

7 – Front (Tongue) Storage	
00	None
01	6-Inch Deep Open Storage Area
02	Small Alum. A-Frame Toolbox
03	Large Alum. A-Frame Toolbox
04	Small Alum. A-Frame Toolbox With 6" Deep Open Storage
05	Large Alum. A-Frame Toolbox With 6" Deep Open Storage
06	6" Deep Storage W/ Alum. Floorplate Cover
07	6" Deep Storage W/ Alum. Diamondback Flooring Cover

8 – Trailer Coupler	
00**	A-Frame Coupler - 2" Ball Limited To Use W/275 Totes
01	A-Frame Coupler - 2-5/16" Ball Usable With All Tote Sizes
02	Adjustable Pintle-Eye - 3" Usable With All Tote Sizes
03	Adjust. Coupler - 2-5/16" Ball Usable With All Tote Sizes
04	Adjust. Clevis - 3/4" Dia. Pin Usable With All Tote Sizes
05	Special/Not Described Above Requires Engineering Approval

9 – Battery Maintenance Charger	
00	Charges Through 6-Pin Connector-Std. W/Elect. Brakes
01	Solar Charger Added For Brake Battery
02	120 Vac Maintenance Charger Added For Brake Battery
03	None-Select For Free-Backing Hydraulic Brakes

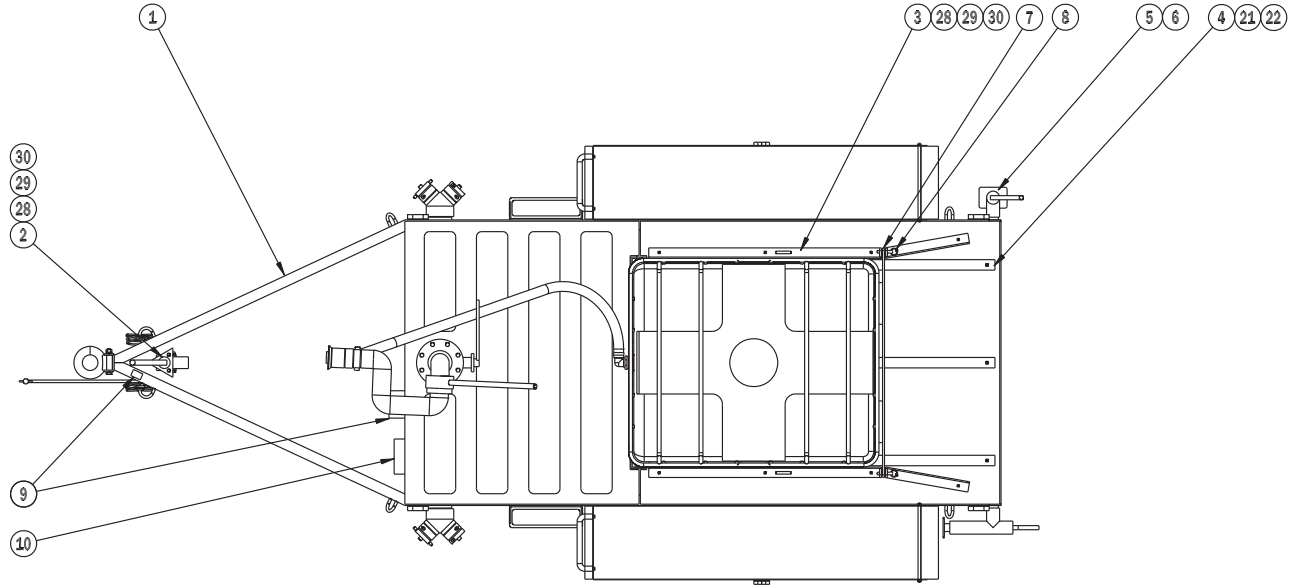
* Not Available On Single Tote Trailer

** Not Available On Triple Tote Trailer-275 Gallon Limit On Dual Tote Trailers Only

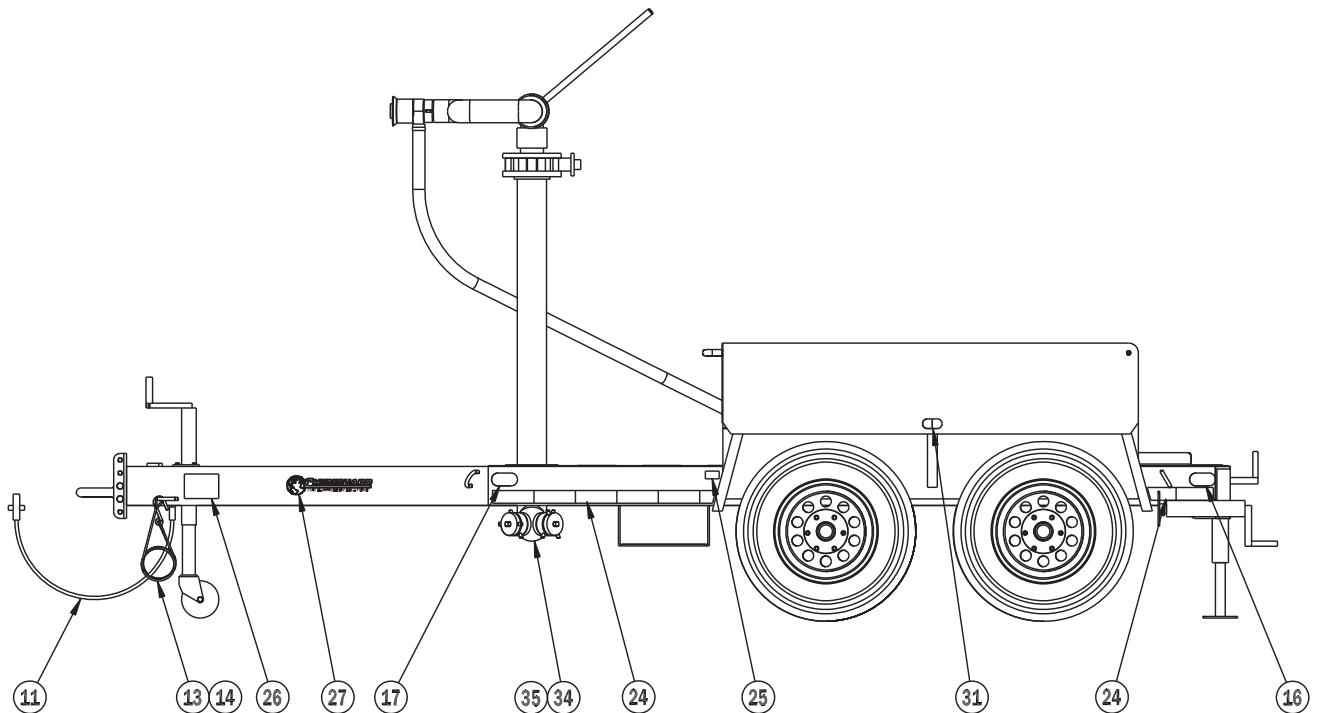
*** Not Available On Triple Tote Trailer

Single Tote Trailer - Technical Drawings

Single Tote Trailer - Top

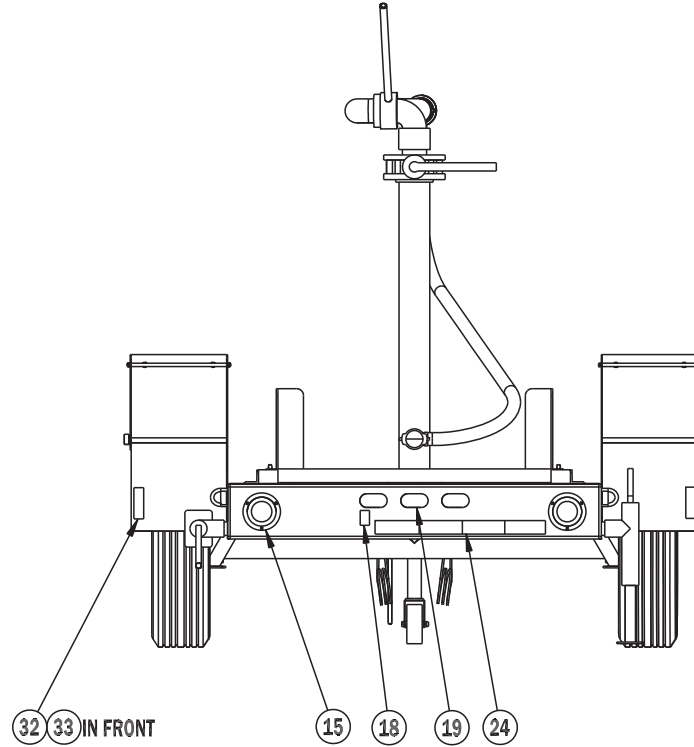


Single Tote Trailer - Side

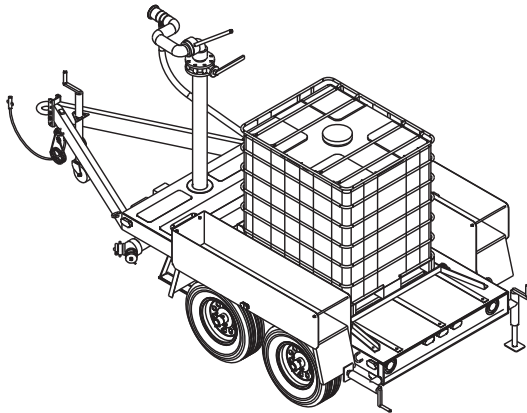


Single Tote Trailer - Technical Drawings

Single Tote Trailer - Rear



Single Tote Trailer - Final Assembly



Single Tote Trailer - Technical Drawings

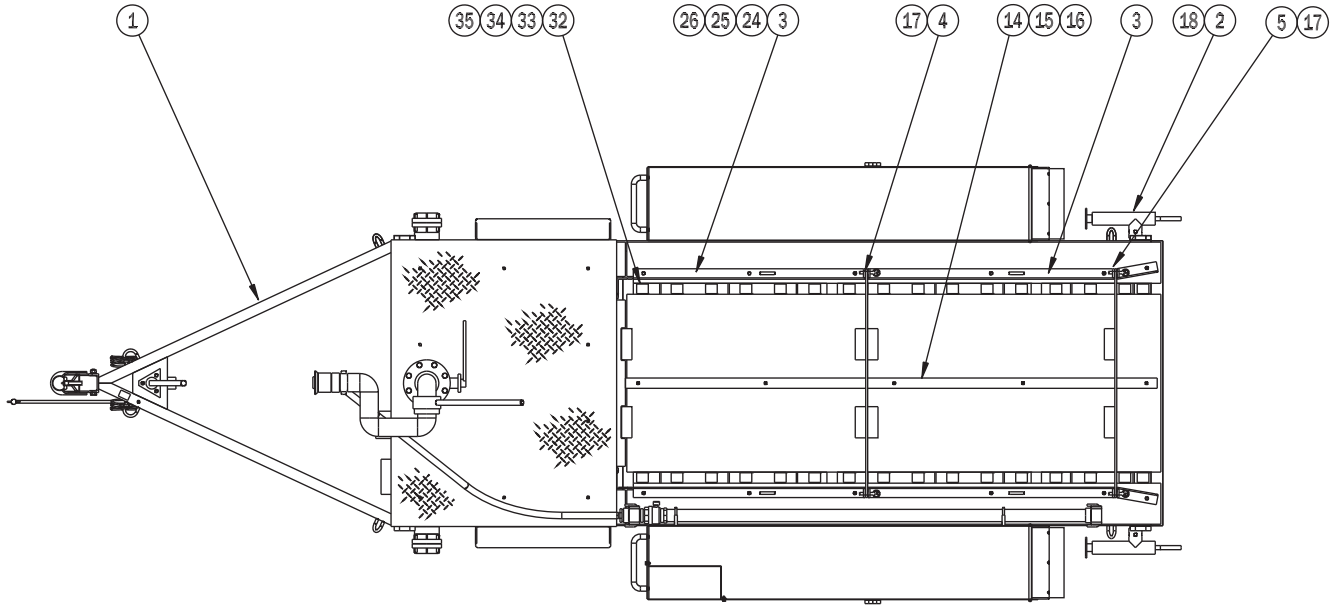
Single Tote Trailer - Technical Drawing Breakdown

ITEM	QTY	PART #	DESCRIPTION	MATERIAL	
*	40	12	EP11972	CABLE TIE PUSH MOUNT, TREE TYPE, FOR 1/4" HOLE	NYLON
*	39	18	EP11977	GROMMET, WIRE, 3/16" OD X 1/8" ID	RUBBER
*	38	2	EP11973	GROMMET, WIRE, 1" OD X 3/4" ID	RUBBER
*	37	1	EP11976	GROMMET, WIRE, 1/2" OD C 3/8" ID	RUBBER
*	36	1	EP11974	STRAIN RELIEF, ELECTRICAL, 1/2" NPT, BLACK	PLASTIC
	35	1	Z06-032-004	NIPPLE, CLOSE, 1/2" SCH. 40	BRASS
	34	1	Z70-103-01	VALVE, BALL, 1/2" MANUAL	BRASS
	33	2	EP11867	REFLECTOR, AMBER RECT, SELF-ADHESIVE W/MOUNT HOLES	PLASTIC
	32	2	EP11866	REFLECTOR, RED RECT., SELF-ADHESIVE W/MOUNT HOLES	PLASTIC
	31	2	EP11862	LIGHT, CLEARANCE/MARKER, AMBER-RED, FENDER MOUNT	PLASTIC
	30	10	Z09-002-003	NUT, NY-LOCK, 3/8"-16	SS
	29	10	Z09-010-020	WASHER, FLAT, 3/8"	SS
	28	10	Z09-011-016	BOLT, 3/8"-16 X 1-1/4" LONG	SS
	27	2	EF11638	LABEL, LOGO, 11" X 3-1/2"	MISC.
	26	1	EP11696	LABEL, VEHICLE IDENTIFICATION NUMBER	MISC.
	25	1	EP11695	LABEL, TIRE TREAD ACT	MISC.
	24	15 FT.	EP11508	TAPE, CONSPICUITY, RED & WHITE, 2" WIDE	MISC.
*	23	1	EP11021	VENT, PRESSURE/VACUUM, 2"	POLY
	22	12	EP11380	NUT, #10-32, W/TOOTH WASHER	SS
	21	12	EP11381	SCREW, FLAT HEAD, UNDERCUT, #10-32 X 3/4" LONG	SS
*	20	1	EP11389	STRAP ASSEMBLY, CARGO, 27-FEET LONG, 7000# RATING	MISC.
	19	1	EP11432	LIGHT BAR, IDENTIFICATION, RED LED	SS/PLASTIC
	18	1	EP11435	LIGHT, LICENSE, GRAY HOUSING	PLASTIC
	17	2	EP11434	LIGHT, CLEARANCE, AMBER, REFLECTIVE	PLASTIC
	16	2	EP11433	LIGHT, CLEARANCE, RED, REFLECTIVE	PLASTIC
	15	2	EP11431	LIGHT, STOP/TAIL/TURN, REFLECTIVE	SS/PLASTIC
	14	2	EP11429	SAFETY CABLE, WITH ONE S-HOOK, 36" LONG	STEEL
	13	2	EP11430	QUICK-LINK, SAFETY CABLE, 1/2"	STEEL
*	12	1	EP11428	CORD, VEHICLE, 6-POLE, TO MATCH TRAILER CORD	NA
	11	1	EP11427	CORD, TRAILER, 6-POLE	NA
	10	1	EP11426	BOX, JUNCTION, ELECTRIC WIRING	NA
	9	1	EP11425	KIT, BREAK-AWAY, ELECTRIC BRAKES, W/CHARGER	NA
	8	2	EP11386	PIN, HD SPRING-LOADED, 1/2" X 2-1/2"	STAINLESS STEEL
	7	1	EF11449	TIE-BAR, REAR, SINGLE/DUAL TOTE TRAILER	STEEL
	6	2	EF11510	PIN, HD SPRING-LOADED, 5/8" X 2-1/2"	STAINLESS STEEL
	5	2	EP11447	JACK, SWING-DOWN, 5000#(2273KG), SIDE-WIND	STEEL
	4	3	EF11823	BAR, SLIDE, 1/8" X 2" X 69", SINGLE TOTE TRAILER	304 SS
	3	1 SET	EF11822	ANGLE GUIDE SET, SINGLE TOTE TRAILER	STEEL
	2				
	1	1	EF11817	TRAILER FRAME ASSEMBLY, WELDED, SINGLE TOTE	STEEL

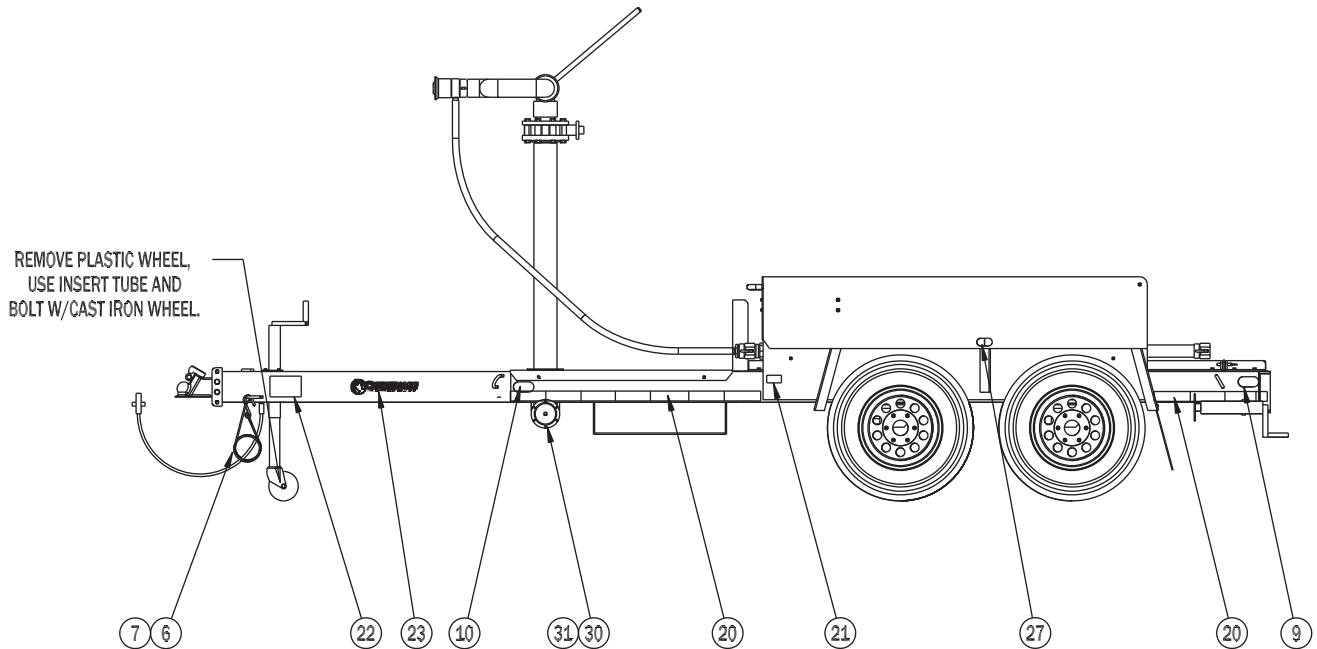
* ITEMS INCLUDED BUT NOT SHOWN

Dual Tote Trailer - Technical Drawings

Dual Tote Trailer - Top

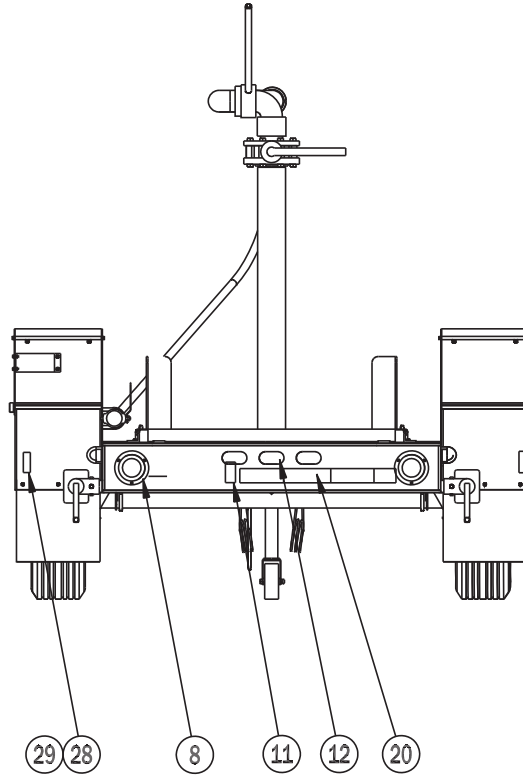


Dual Tote Trailer - Side

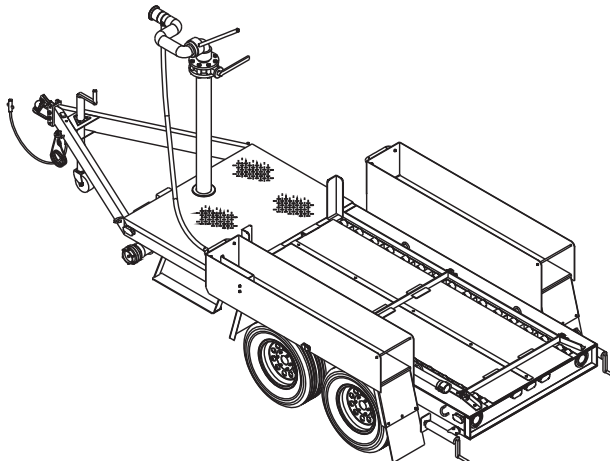


Dual Tote Trailer - Technical Drawings

Dual Tote Trailer - Rear



Dual Tote Trailer - Final Assembly



NOTE:

1. ONLY BASE ASSEMBLY COMMON COMPONENTS SHOWN ON THIS DRAWING.
2. REFER TO APPROPRIATE OPTION DRAWINGS FOR ASSEMBLY OF EACH SELECTED OPTION.
3. THE FOLLOWING ITEMS ARE TO SHIP LOOSE FOR CUSTOMER INSTALLATION:
 - ITEM 6 - 36" LONG SAFETY CABLE WITH HOOK
 - ITEM 7 - 1/2" QUICK LINK
 - ITEM 13 - CARGO STRAP ASSEMBLY
 - ITEM 19 - 2" PRESSURE VACUUM VENTREFER TO OPTION DRAWINGS FOR OTHER ITEMS THAT NEED TO SHIP LOOSE.
4. FORWARD LABELS, ITEMS 21 AND 22, TO ENGINEERING TO BE FILLED OUT BEFORE APPLYING TO TRAILER.

Dual Tote Trailer - Technical Drawings

Dual Tote Trailer - Technical Drawing Breakdown

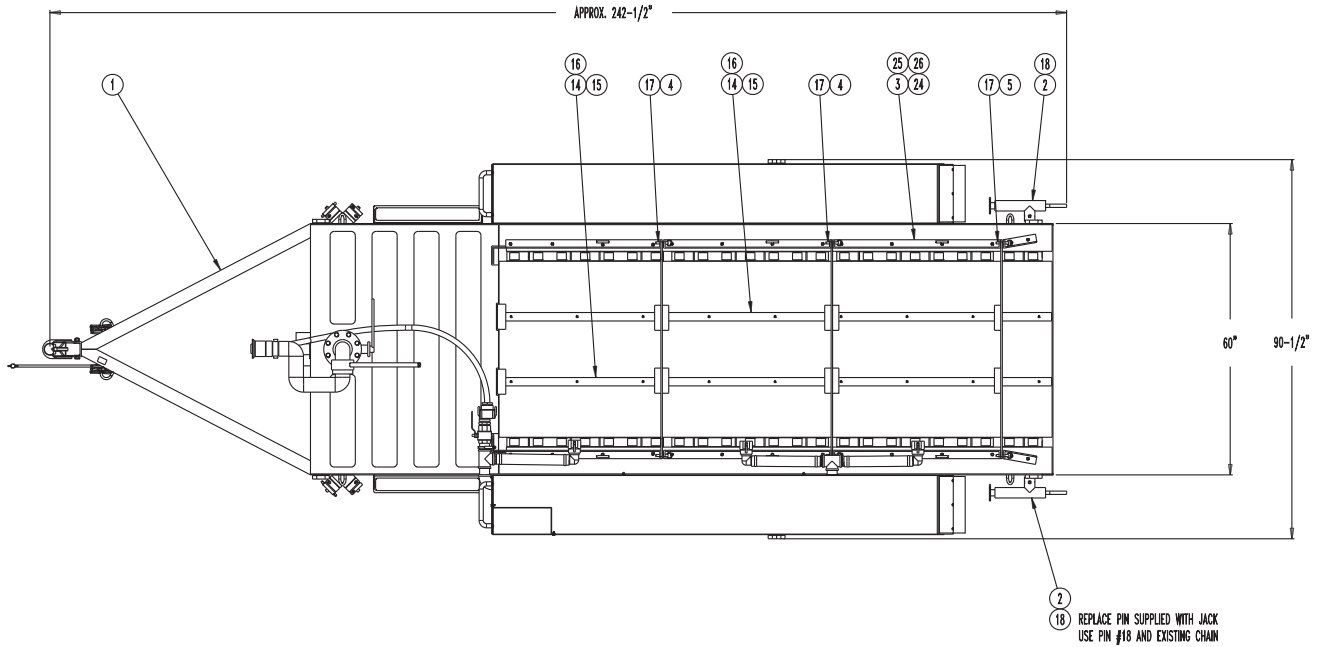
ITEM	QTY.	PART #	DESCRIPTION	MATERIAL
* 40	14	EP11972	CABLE TIE PUSH MOUNT, TREE TYPE, FOR 1/4" HOLE, BLACK	NYLON
* 39	20	EP11977	GROMMET, WIRE, 3/16" OD X 1/8" ID	RUBBER
* 38	2	EP11973	GROMMET, WIRE, 1" OD X 3/4" ID	RUBBER
* 37	1	EP11976	GROMMET, WIRE, 1/2" OD X 3/8" ID	RUBBER
* 36	1	EP11974	STRAIN RELIEF, ELECTRICAL, 1/2" NPT, BLACK	PLASTIC
35	32	EP12010	HAIRPIN, 1-5/16" LONG, 0.062" WIRE	18-8 SS
34	32	EP11808	RETAINING RING, E-STYLE, BLACK PHOSPHATE COATED, 13MM	STEEL
33	32	EF11800	PIN, HINGE, 1/2" X 4-1/2", WITH RETAINING RING GROOVES	STEEL
32	32	EP11798	ROLLER, TOTE TRAILER, 2-1/4" OD, 1/2" ID, 2" LONG, ANNOZIDED	ALUMINUM
31	1	Z06-032-004	NIPPLE, CLOSE, 1/2" SCH. 40	BRASS
30	1	Z70-103-01	VALVE, BALL, 1/2", MANUAL	BRASS
** 29	2	EP11867	REFLECTOR, AMBER RECTANGULAR, SELF-ADHESIVE W/MOUNTING HOLES	PLASTIC
28	2	EP11866	REFLECTOR, RED RECTANGULAR, SELF-ADHESIVE W/MOUNTING HOLES	PLASTIC
27	2	EP11862	LIGHT, CLEARANCE/MARKER, FENDER MOUNT, AMBER-RED	PLASTIC
26	16	Z09-010-020	WASHER, FLAT, 3/8"	SS
25	16	Z09-002-003	NUT, LOCK, 3/8"-16	SS
24	16	Z09-011-016	BOLT, 3/8"- 16 X 1-1/4" LONG	SS
23	2	EF11638	LABEL, LOGO, 11" X 3-1/2"	MISC
22	1	EP11696	LABEL, VEHICLE IDENTIFICATION NUMBER	MISC
21	1	EP11695	LABEL, TIRE TREAD ACT	MISC
20	15 (15.0 FT)	EP11508	TAPE, CONSPICUITY, RED & WHITE, 2" WIDE	MISC
* 19	2	EP11021	VENT, PRESSURE/VACUUM, 2"	POLY
18	2	EP11510	PIN, SPRING LOADED, QUICK RELEASE, 5/8" X 2-1/2" LONG, HEAVY DUTY	SS
17	4	EP11386	PIN, SPRING LOADED, QUICK RELEASE, 1/2" X 2-1/2" LONG, HEAVY DUTY	SS
16	5	EP11380	NUT, W/TOOTH WASHER, #10-32	SS
15	5	EP11381	SCREW, FLAT HEAD, UNDERCUT, #10-32 X 3/4" LONG	SS
14	2	EF11437	BAR, SLIDE	SS
* 13	2	EP11389	STRAP ASSEMBLY, CARGO, 27', 7000#	MISC
12	1	EP11432	LIGHT BAR, IDENTIFICATION, RED LED	SS/POLY
11	1	EP11435	LIGHT, LICENSE, GRAY HOUSING	POLY
10	2	EP11434	LIGHT, CLEARANCE, AMBER, REFLECTIVE	POLY
9	2	EP11433	LIGHT, CLEARANCE, RED, REFLECTIVE	POLY
8	2	EP11431	LIGHT, STOP/TAIL/TURN, REFLECTIVE	SS/POLY
7	2	EP11430	QUICK LINK, 1/2" (INSTALL QUICK LINK ON SAFETY CABLE)	STEEL
6	2	EP11994	SAFETY CABLE, HOOK ONE END, 36" LONG	STEEL
5	1	EF11449	REAR TIE BAR	STEEL
4	1	EF11448	FRONT TIE BAR	STEEL
3	1	EF11438	ANGLE GUIDE SET	STEEL
2	2	EP11447	JACK, SWING DOWN, 5000#, SIDE WIDE	STEEL
1	1	EF11399R	FRAME, DUAL TOTE TRAILER	STEEL

* NOT SHOWN

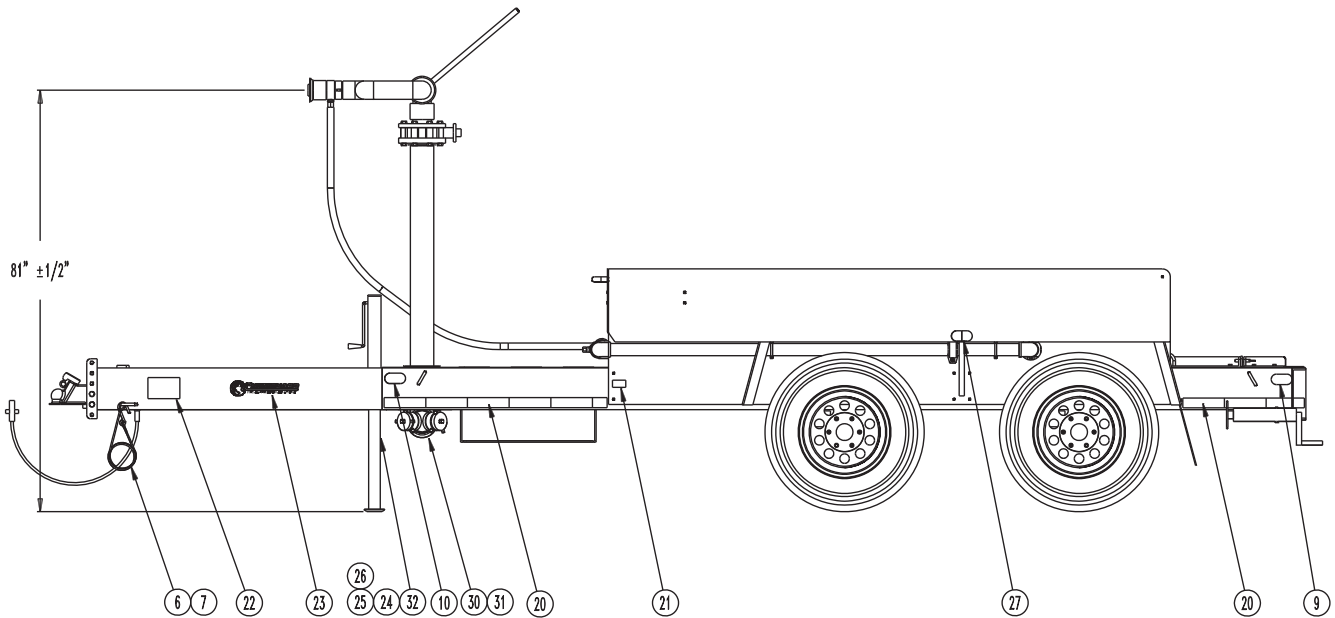
** MOUNTED ON FRONT

Triple Tote Trailer - Technical Drawings

Triple Tote Trailer - Top

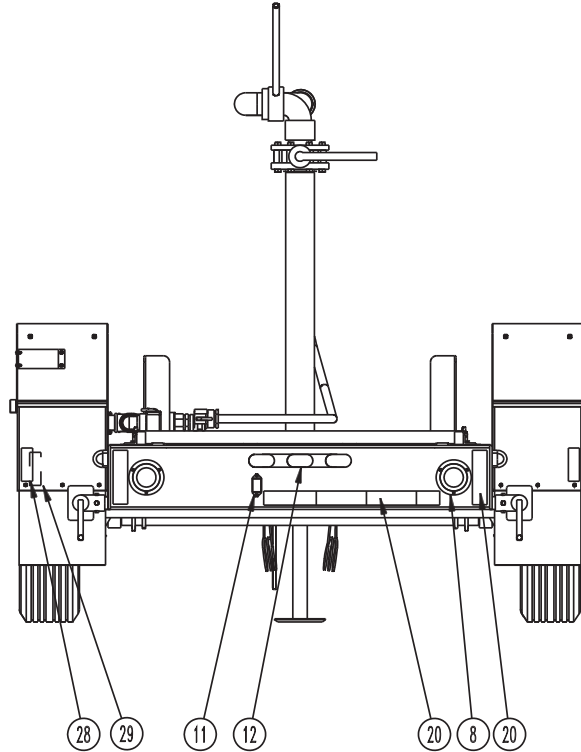


Triple Tote Trailer - Side

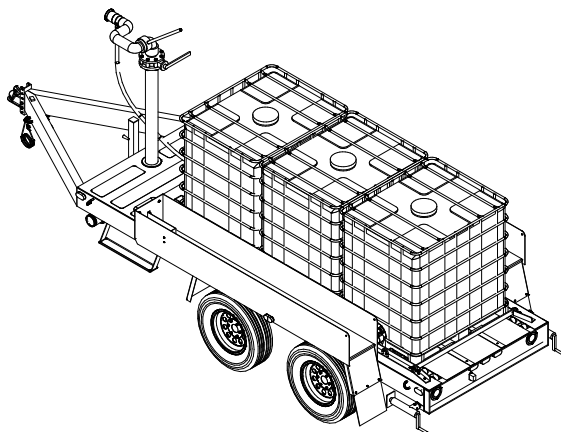


Triple Tote Trailer - Technical Drawings

Triple Tote Trailer - Rear



Triple Tote Trailer - Final Assembly



NOTE:

1. ONLY BASE ASSEMBLY COMMON COMPONENTS SHOWN ON THIS DRAWING.
2. REFER TO APPROPRIATE OPTION DRAWINGS FOR ASSEMBLY OF EACH SELECTED OPTION.
3. THE FOLLOWING ITEMS ARE TO SHIP LOOSE FOR CUSTOMER INSTALLATION:
 - ITEM 6 - 36" LONG SAFETY CHAIN WITH HOOK
 - ITEM 7 - 1/2" QUICK LINK
 - ITEM 13 - CARGO STRAP ASSEMBLY
 - ITEM 19 - 2" PRESSURE VACUUM VENTREFER TO OPTION DRAWINGS FOR OTHER ITEMS THAT NEED TO SHIP LOOSE.
4. FORWARD LABELS, ITEMS 21 AND 22, TO ENGINEERING TO BE FILLED OUT BEFORE APPLYING TO TRAILER.

Triple Tote Trailer - Technical Drawings

Triple Tote Trailer - Technical Drawing Breakdown

ITEM	QTY	PART #	DESCRIPTION	MATERIAL	
	32	1	EP11993	JACK, BOLT-ON, DROP LEG, 2500#, 2.5" SQUARE TUBING	STEEL
	31	1	Z06-032-004	NIPPLE, CLOSE, 1/2" SCH. 40	BRASS
	30	1	Z70-103-01	VALVE, BALL, 1/2", MANUAL	BRASS
**	29	2	EP11867	REFLECTOR, AMBER RECTANGULAR, SELF-ADHESIVE W/MOUNTING HOLES	PLASTIC
	28	2	EP11866	REFLECTOR, RED RECTANGULAR, SELF-ADHESIVE W/MOUNTING HOLES	PLASTIC
	27	2	EP11862	LIGHT, CLEARANCE/MARKER, FENDER MOUNT, AMBER-RED	PLASTIC
	26	64	Z09-010-020	WASHER, FLAT, 3/8"	SS
	25	32	Z09-002-003	NUT, LOCK, 3/8"-16	SS
	24	32	Z09-011-016	BOLT, 3/8"- 16 X 1-1/4" LONG	SS
	23	2	EF11638	LABEL, LOGO, 11" X 3-1/2"	MISC
	22	1	EP11696	LABEL, VEHICLE IDENTIFICATION NUMBER	MISC
	21	1	EP11695	LABEL, TIRE TREAD ACT	MISC
	20	15 (15.0 FT)	EP11508	TAPE, CONSPICUITY, RED & WHITE, 2" WIDE X 12" LONG	MISC
*	19	3	EP11021	VENT, PRESSURE/VACUUM, 2"	POLY
	18	2	EP11510	PIN, SPRING LOADED, QUICK RELEASE, 5/8" X 2-1/2" LONG, HEAVY DUTY	SS
	17	6	EP11386	PIN, SPRING LOADED, QUICK RELEASE, 1/2" X 2-1/2" LONG, HEAVY DUTY	SS
	16	18	EP11380	NUT, W/TOOTH WASHER, #10-32	SS
	15	18	EP11381	SCREW, FLAT HEAD, UNDERCUT, #10-32 X 3/4" LONG	SS
	14	2	EF11996	BAR, SLIDE, 1/8" X 2" X 131-7/8"	SS
*	13	3	EP11389	STRAP ASSEMBLY, CARGO, 27', 7000#	MISC
	12	1	EP11432	LIGHT BAR, IDENTIFICATION, RED LED	SS/POLY
	11	1	EP11435	LIGHT, LICENSE, GRAY HOUSING	POLY
	10	2	EP11434	LIGHT, CLEARANCE, AMBER, REFLECTIVE	POLY
	9	2	EP11433	LIGHT, CLEARANCE, RED, REFLECTIVE	POLY
	8	2	EP11431	LIGHT, STOP/TAIL/TURN, REFLECTIVE	SS/POLY
	7	2	EP11430	QUICK LINK, 1/2" (INSTALL QUICK LINK ON SAFETY CHAIN)	STEEL
	6	2	EP11994	SAFETY CHAIN, 3/8" DIA. LINKS, 35" LONG W/LATCHING HOOK	STEEL
	5	1	EF11999	REAR TIE BAR	STEEL
	4	2	EF11998	FRONT TIE BAR	STEEL
	3	1	EF11995	ANGLE GUIDE SET	STEEL
	2	2	EP10826	JACK, SWING DOWN, 5000#, SIDE WIDE	STEEL
	1	1	EF11789	FRAME, TRIPLE TOTE TRAILER	STEEL

* NOT SHOWN

** MOUNTED ON FRONT